

QUARTER-TURN L-HANDLE 18 MM

Aluminium L-handle with eyelet for padlock. Supplied with nut. Protection degree IP65, also classed Waterproof according to NEMA 4.



MATERIAL

Cam: Steel, zinc plated
Earthing nut: Zinc die cast, zinc plated
Handle: Aluminium, black coated
Housing: Zinc die cast, black coated
Nut: Steel, zinc plated
Screw: Steel, zinc plated
Standard nut: Zinc die cast, zinc plated

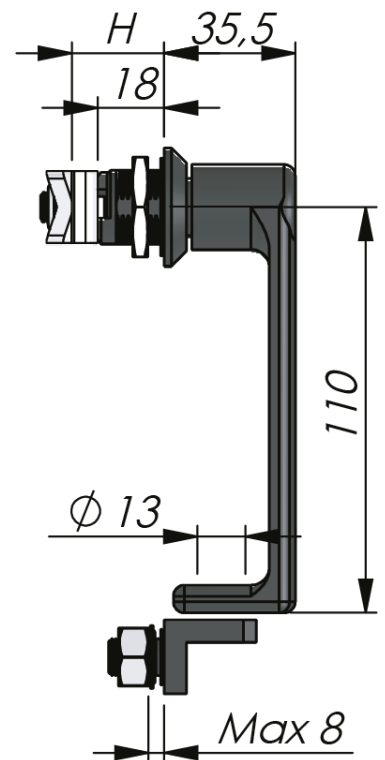
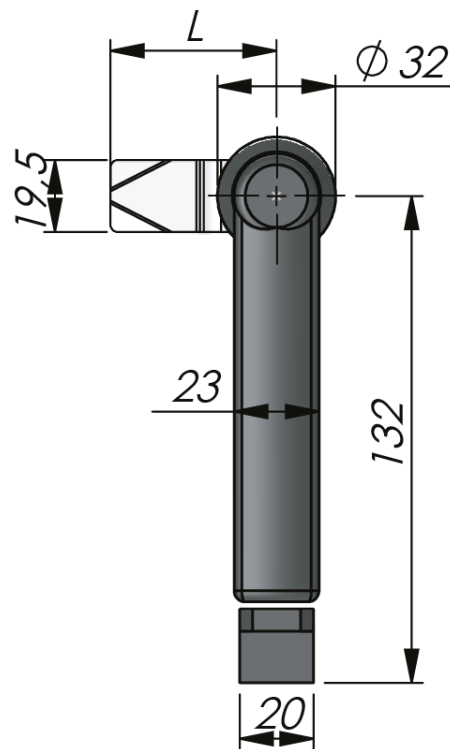
RELATED PRODUCTS

Other materials: 6-170
Rod guides: 2-560, 2-570
Rod adapters: 2-541
Rods: 2-540, 2-541, 2-545
Cams: 2-480, 2-490, 2-510, 2-520
 Use the Index Code at industrilas.com

TECHNICAL INFORMATION

Example: 264566-1-1645 is a padlockable handle for a right hinged door with a cam having a H-measurement of 16 mm.

Standards: IP65, NEMA 4



Industrilas
 — When access counts —

Make your selections in each column to create your article number (AAAAAA-B-HHLL)

AAAAAA	Material	B	Assembly	HHLL	H/L in mm
264566	Zinc / Black with standard zinc nut	0	No cam	0000	No cam
264567	Zinc / Black with earthing zinc nut	1	RH	0445	4 / 45
		2	LH	0645	6 / 45
				0845	8 / 45
				1045	10 / 45
				1245	12 / 45
				1445	14 / 45
				1645	16 / 45
				1845	18 / 45
				2045	20 / 45
				2245	22 / 45
				2445	24 / 45
				2645	26 / 45
				2845	28 / 45
				3045	30 / 45
				3245	32 / 45
				3445	34 / 45
				3645	36 / 45
				3845	38 / 45
				4045	40 / 45
				4245	42 / 45
				4445	44 / 45
				4645	46 / 45
				4845	48 / 45
				5045	50 / 45

RH = Right hinged door. LH = Left hinged door.

